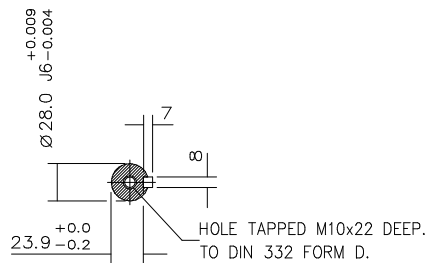
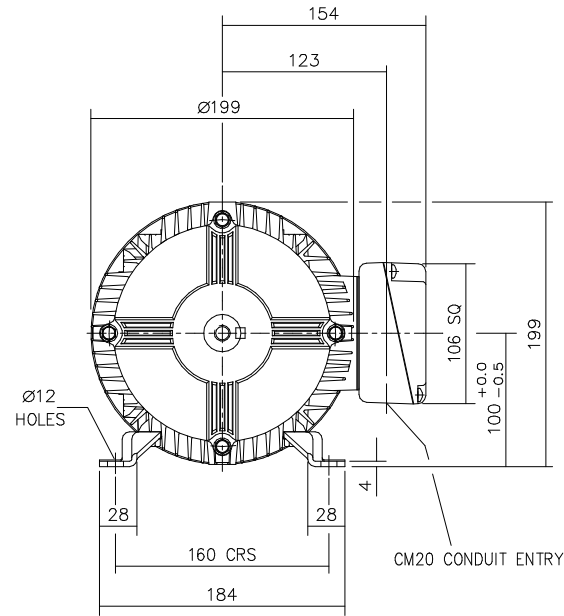
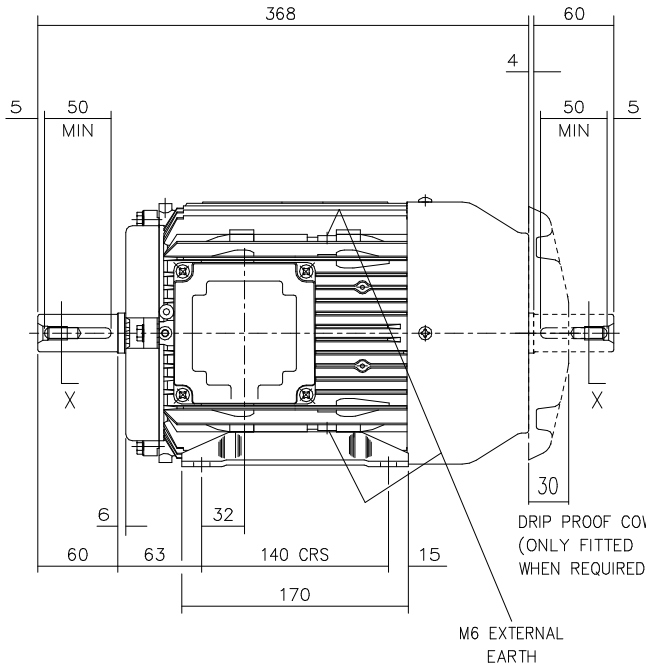


DRG. No. W10GF000/3

DRG. REF.



VIEW ON 'X'

TERMINAL BOX POSITION:- CAN BE ARRANGED AT EITHER 9,12 OR 3 O'CLOCK BY MOVING FEET.
STANDARD TERMINAL BOX POSITION IS 3 O'CLOCK AS SHOWN.
CONDUIT ENTRIES:- TERMINAL BOX CAN BE ROTATED AT 90° INTERVALS
(CONDUIT ENTRY POSITION SHOWN FOR ILLUSTRATION ONLY).

CUSTOMER		
ORDER No.		
PART No.		
FRAME SIZE		
KW.	RPM.	
Hz	PHASE	
VOLTS	POLES	
BRGS.	DE.	NDE.
MOTOR NETT WT.		Kg.
SPECIAL REMARKS		

ALL DIMENSIONS IN MILLIMETRES.



FIRST ANGLE PROJECTION

BROOK CROMPTON

Huddersfield, HD1 3LJ ENGLAND

SHEET TITLE
A3 OUTLINE DIMENSION DRAWING W ALUMINIUM TOTALLY ENCLOSED FAN COOLED
100L FRAME FOOT MOUNTED MOTOR

	NAME	DATE
DRAWN	MI	11-03-93
CHECKED	JWD	11-03-93
SCALE	1: 3.5	

DRG. No.	W10GF000/3		
DRG. REF.			
REVISION:	RR	DATE	09/06/03